

Product data sheet

Characteristics

XS518B1CAL08M12

Inductive proximity sensors XS, inductive sensor XS5 M18, L62mm, brass, Sn5mm, 12...48 VDC, M12 0.8 m



Product availability: Non-Stock - Not normally stocked in distribution facility

Price*: 71.22 USD



Main

Range of Product	Telemecanique Inductive proximity sensors XS
Series name	General purpose
Sensor Type	Inductive proximity sensor
Device Application	-
Sensor name	XS5
Sensor design	Cylindrical M18
Size	56 mm
Body type	Fixed
Detector flush mounting acceptance	Flush mountable
Material	Metal
Type of output signal	Discrete
Wiring Technique	2-wire
[Sn] nominal sensing distance	0.20 In (5 mm)
Discrete output function	1 NO
Output circuit type	DC
Electrical connection	4 pins M12 remote male connector 1-4
Cable length	2.62 Ft (0.8 m)
[Us] rated supply voltage	12...48 V DC
Switching capacity in mA	1.5...100 mA DC overload and short-circuit protection
IP degree of protection	IP67 conforming to IEC 60529 IP69K conforming to DIN 40050

Complementary

Thread type	M18 x 1
Detection face	Frontal
Front material	PPS
Enclosure Material	Nickel Plated Brass
Operating zone	0.00...0.16 In (0...4 mm)

Differential travel	1...15% of Sr
Cable composition	2 x 0.34 mm ²
Wire insulation material	PvR
Status LED	Output state 1 LED yellow)
Supply voltage limits	10...58 V DC
Maximum residual current	0.5 MA open state
Switching frequency	<= 3000 Hz
Maximum voltage drop	<4 V closed)
Maximum delay first up	10 Ms
Maximum delay response	0.15 Ms
Maximum delay recovery	0.2 Ms
Marking	CE
Threaded length	2.05 In (52 mm)
Maximum Height	0.71 In (18 mm)
Length	2.44 In (62 mm)
Net Weight	0.19 Lb(US) (0.085 kg)

Environment

Product Certifications	CSA UL CCC
Ambient Air Temperature for Operation	-13...158 °F (-25...70 °C)
Ambient Air Temperature for Storage	-40...185 °F (-40...85 °C)
Vibration resistance	25 gn +/- 2 mm 10...55 Hz)IEC 60068-2-6
Shock resistance	50 gn 11 ms IEC 60068-2-27

Ordering and shipping details

Category	22486 - SENSORS, PROXIMITY
Discount Schedule	DS2
GTIN	03389110405415
Nbr. of units in pkg.	1
Package weight(Lbs)	3.53 Oz (100 g)
Returnability	No
Country of origin	FR

Packing Units

Unit Type of Package 1	PCE
Package 1 Height	1.65 In (4.2 cm)
Package 1 width	3.78 In (9.6 cm)
Package 1 Length	5.20 In (13.2 cm)
Unit Type of Package 2	BAG
Number of Units in Package 2	1
Package 2 Weight	3.53 Oz (100 g)
Package 2 Height	0.79 In (2 cm)
Package 2 width	7.87 In (20 cm)
Package 2 Length	5.91 In (15 cm)
Unit Type of Package 3	S03
Number of Units in Package 3	44
Package 3 Weight	10.99 Lb(US) (4.985 kg)
Package 3 Height	11.81 In (30 cm)
Package 3 width	11.81 In (30 cm)
Package 3 Length	15.75 In (40 cm)

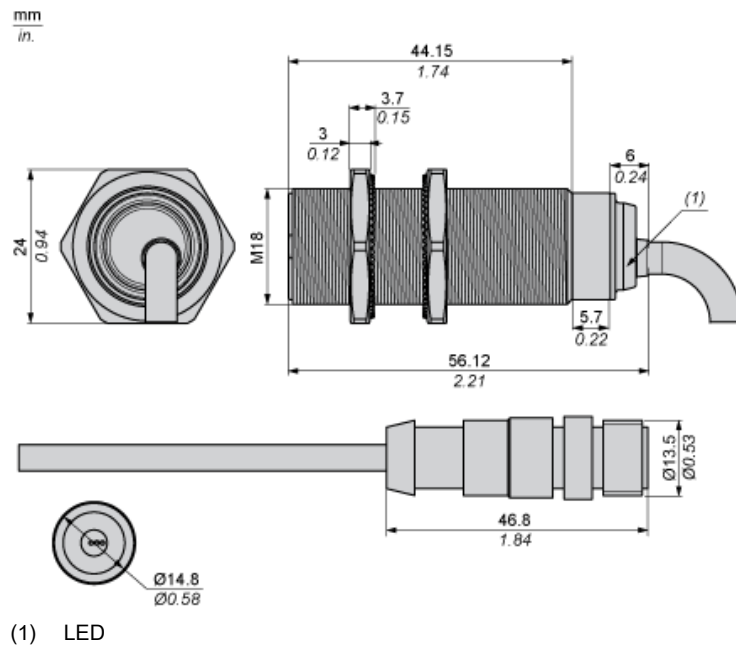
Offer Sustainability

Sustainable offer status	Green Premium product
California proposition 65	WARNING: This product can expose you to chemicals including: Diisononyl phthalate (DINP), which is known to the State of California to cause cancer, and Diisodecyl phthalate (DIDP), which is known to the State of California to cause birth defects or other reproductive harm. For more information go to www.P65Warnings.ca.gov
REACH Regulation	REACH Declaration
EU RoHS Directive	Pro-active compliance (Product out of EU RoHS legal scope) EU RoHS Declaration
Mercury free	Yes
RoHS exemption information	Yes
Environmental Disclosure	Product Environmental Profile
Circularity Profile	End Of Life Information

Contractual warranty

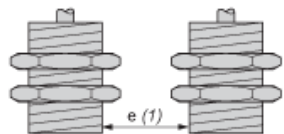
Warranty	18 months
----------	-----------

Dimensions



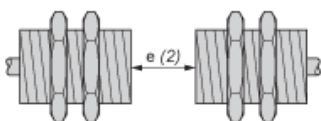
Minimum Mounting Distances

Side by side



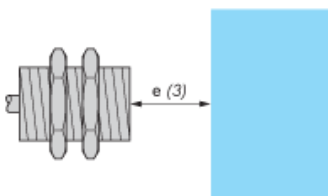
$e (1) \geq 10 \text{ mm}/0.39 \text{ in.}$

Face to face



$e (2) \geq 10 \text{ mm}/2.36 \text{ in.}$

Facing a metal object



$e (3) \geq 15 \text{ mm}/0.60 \text{ in.}$

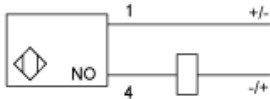
Wiring Schemes

2-Wire Non-polarised

M12 connector



NO output



Performance Curves

Standard Steel Target : 18x18x1 mm



- (1) Pick-up points
- (2) Drop-out points (object approaching from the side)
- (y) Sensing distance in mm

Product Life Status : **Commercialised**